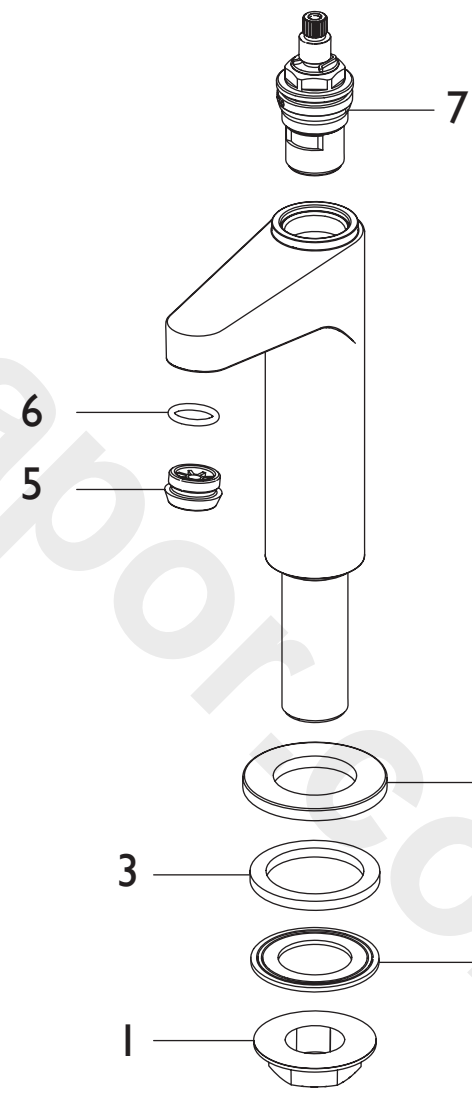
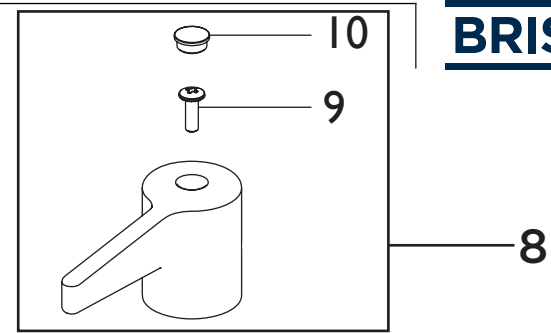


**Product Code:** DUL HNK C  
**Revision:** D3



1	Backnut
2	Washer Tap Base
3	Washer
4	Plinth
5	M16 Aerator
6	O-Ring
7	Hot & Cold CD Valve
8	Handle
9	Screw Handle
10	Indice